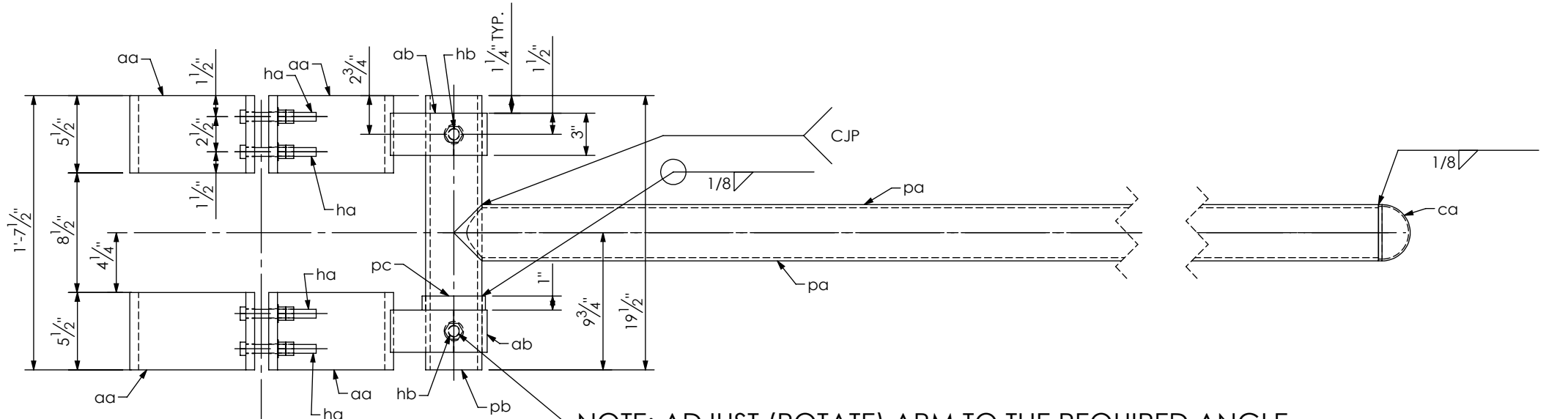
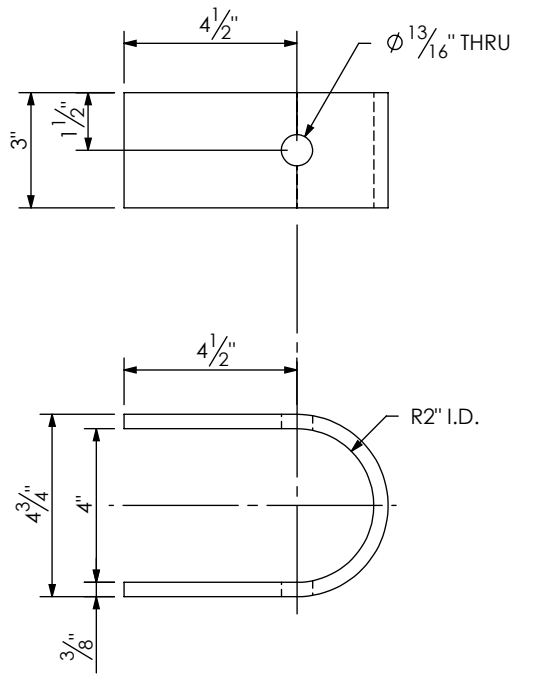
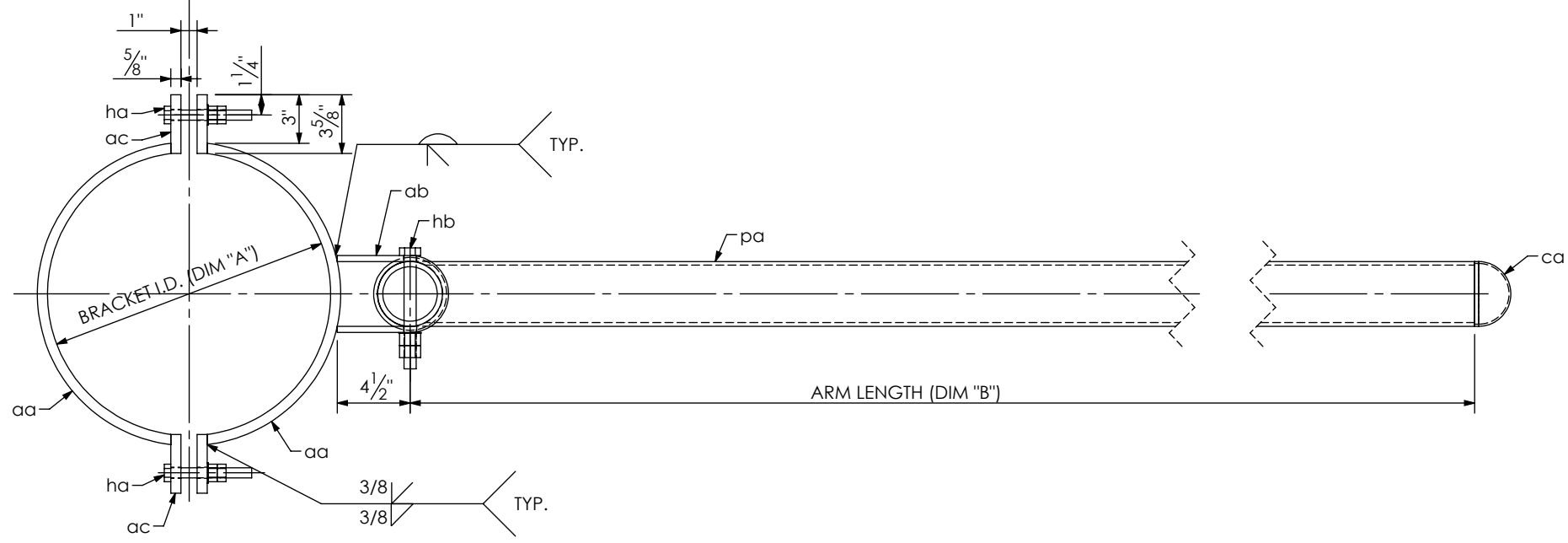


SHOP NOTES:  
 -ALL PIPE TO ASTM A500, GRADE "C" OR API-5L-XS2.  
 -ALL SHAPES AND PLATES TO ASTM A572, GRADE 50.  
 -ALL BOLTS SHALL BE ASTM A325.  
 -ALL WELDS TO BE E70XX.  
 -ALL BOLTS, NUTS, WASHERS SHALL BE GALVANIZED PER ASTM B633 (DEPENDING ON SIZE).  
 -ALL PIPE, SHAPES AND PLATES SHALL BE GALVANIZED PER ASTM A123.  
 -STRUCTURE MUST BE ASSEMBLED AFTER GALVANIZING TO ASSURE PROPER FIT-UP.  
 -WIND DESIGN SPEED 130 OR 150 MPH.  
 -SIGN ATTACHED WITH BRACKETS TO ALLOW IT TO BE FREE SWINGING.



NOTE: ADJUST (ROTATE) ARM TO THE REQUIRED ANGLE & MATCH DRILL THRU "pb" AT FIELD INSTALLATION



DETAIL "ab"

QTY LISTED IS FOR FAB OF 1 ARM

QTY.	MARK	DESCRIPTION
4	aa	PLATE, 5/8" X 5 1/2" X LG.
2	ab	PLATE, 3/8" X 3" X 1'-3 5/16" LG.
8	ac	PLATE, 5/8" X 3 5/8" X 5 1/2"
1	pa	PIPE, 4" O.D. X .226 W (SCH. 40) X LG.
1	pb	PIPE, 4" O.D. X .318 W (SCH.80) X 1'-7 1/2" LG.
1	pc	PIPE, 4 1/2" O.D. X .237 W X 1" LG.
1	ca	DOME CAP, 4" O.D.
8	ha	BOLT, HEX HD. 5/8" DIA. X 5" LG. W/ FLATWASHER & (2) HEX NUTS
2	hb	BOLT, HEX HD. 3/4" DIA. X 7" LG. W/ FLATWASHER & (2) HEX NUTS

CUT SHEET TABLE		
MARK	BRACKET I.D. (DIM "A")	ARM LENGTH (DIM "B")

**HIGHWAY SYSTEMS INC.**  
 D.O.T. Sign Structure Division  
 3373 NW 10th St., Bldg # 100, Ocala, FL 34475-4547

DESCRIPTION:  
 STANDARD DRAWING  
 STATE OF FLORIDA

FOR:  
**STANDARD SINGLE ARM  
 ADJUSTABLE BRACKET  
 WIND DESIGN SPEED 150 MPH**

SCALE: NTS  
 DATE: 2/19/2013  
 JOB NUMBER: HSI-

APPROVED BY: JB  
 CHECK BY: BB  
 DRAWN BY: BB  
 DRAWING NUMBER: 1020-R

1st SUBMITAL \_\_\_\_\_  
 2nd SUBMITAL \_\_\_\_\_  
 3rd SUBMITAL \_\_\_\_\_  
 SHOP RELEASE: \_\_\_\_\_  
 SHEET 1 OF 1